

## 一. 产品说明 (GENERAL SPECIFICATION):

型号 (PARTNUMBER): SH1102

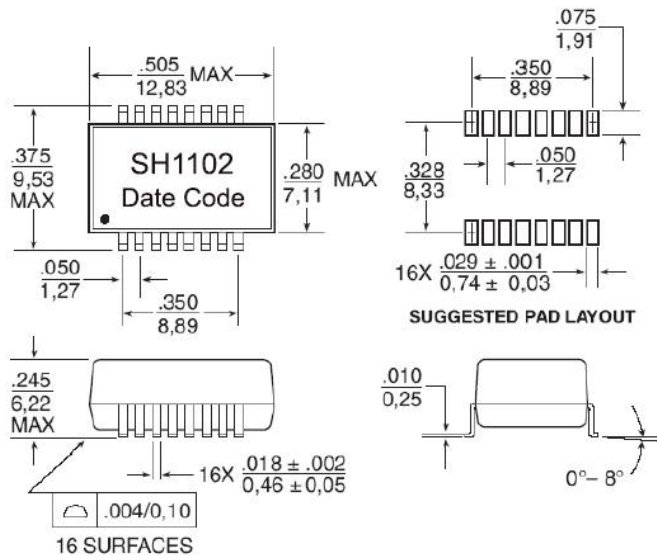
规格 (SPECIFICATION): 10/100BASE-T TRANSFORMER

贮存环境温度 (STORAGE TEMP RANGE): -25°C TO +125°C

使用环境温度 (OPERATING TEMP RANGE): -0°C TO +70°C

封装型式 (PACKAGE): 16PIN SMD PACKAGE

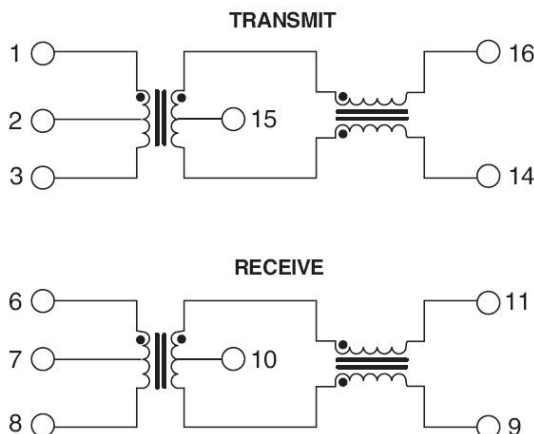
## 二. 外形尺寸图 (OUTLINE DIMENSION):



Dimensions:  $\frac{\text{Inches}}{\text{mm}}$

Unless otherwise specified, all tolerances are  $\pm \frac{.010}{0,25}$

## 三. 原理图 (SCHEMATIC):



#### 四. 电气参数 (ELECTRICAL SPECIFICATION): (25°C)

##### 1. Turns Ratio ( $\pm 5\%$ ) :

1CT : 1CT (TX) TO 1CT : 1CT (RX)

##### 2. Primary OCL Inductance :

@100KHz/0.1Vrms with 8mA/DC Bias 350  $\mu$ H Min

3. Cw/w : @100KHz/0.1Vrms 28 pF Max

4. LL: @100KHz/0.1Vrms 0.6  $\mu$ H Max

##### 5. DCR :

Sec : 0.9  $\Omega$  Max Pri : 0.6  $\Omega$  Max

##### 6. Insertion Loss :

@ 100kHz TO 100 MHz -1.1 dB Max

##### 7. Return Loss :

@ 30 MHz -20 dB Min

@ 60 MHz -14 dB Min

@80 MHz -11.5 dB Min

##### 8. Cross Talk :

@ 30 MHz -45 dB Min

@ 60 MHz -40 dB Min

@ 100 MHz -35 dB Min

##### 9. Differential to Common Mode Rejection :

@ 30 MHz -42 dB Min

@ 50 MHz -37 dB Min

@ 100 MHz -33 dB Min

##### 10. Isolation HI-POT : 1500 Vrms 1mA 6S

## 五. Profile of IR Reflow (Lead Free)

